

## Application

The units compli 1500 and 2500 have been designed for the disposal of sewage from industrial, public and semi-public buildings, apartment blocks, flats, etc. for an uncontrolled effluent flow and specially where a safety factor must be provided.

The entire unit is damp- and floodproof and thus ideally suited to placing in unventilated areas or basements subject to accidental flooding. The control panel must be installed in a dry, ventilated position safe from flooding.

Maintenance is extremely simple; the tank has 2 top mounted inspection/cleaning apertures and, if necessary, the pumps can be removed/replaced in minutes and without disturbing the tank assembly.

## Description

**Pumps** Vertical, single-stage, submersible, single channel impeller with volute casing and horizontal discharge branch, flanged on duckfoot bends, which are on noise- and vibration absorber.

**Bearings** Common shaft for pump and motor, greased ball bearings.

**Motor** Submersible, type of enclosure IP 68, insulation class F, winding thermostat protects the motor from overload, automatic starting via rotary level control and control unit, method operation S3 according to VDE.

**Shaft seal** Silicon carbide mechanical seals (independent of rotation), oil-chamber and artificial carbon mechanical seal (or double shaft seal) towards the motor section, safe to run dry, a seal leak detector can be connected, power supply through rubber insulated flexible cable.

**Materials** Tank made of corrosion resistant and non-polluting polyethylene, pump- and motor-housing, impeller and duckfoot bend from wear resistant GG grey cast iron, shaft against liquid completely covered.

**The unit comprises** Sewage disposal unit acc. to EN 12050 as construction set, ready for final assembly at site: PE-tank with inlet clamping flange DN 150 and automatic level control with Reed contacts, duckfoot bends, fitting materials, elastic connections for vent-pipe DN 70 and for duckfoot bend with hose band clamps, control panel for alternating duty cycles or, if necessary, on a duty/back-up system with transformer, contactor with overload relays, mains operated alarm device, and volt-free contact for remote failure indicators. The control unit can also be equipped with a microprocessor unit on request. Length of cable from pump to control unit = 10 m. Accessories to be ordered according to the mounting drawing.



▶ Flood-proof

▶ Big storage capacity

▶ Eligible inlet position

▶ PE-tank



## Technical data compli 1500/2500

Type	Tank capacity litre	Floor to centre inlet	Cable quality HO7RN-F-	Cable lenght	Weight kg	Code-No.
<b>Duplex units with 1 PE tank</b>						
1525/4 C1	500	700 mm	6G1,5	10 m	253,5	<b>09181</b>
1535/4 C1	500	700 mm	6G1,5	10 m	261,5	<b>09182</b>
1555/4 C5	500	700 mm	10G2,5	10 m	363,5	<b>09183</b>
1575/4 C5	500	700 mm	10G2,5	10 m	373,5	<b>09184</b>
1575/4 B6	500	700 mm	10G2,5	10 m	357,5	<b>09185</b>
<b>Duplex units with 2 PE tanks</b>						
2525/4 C1	1000	700 mm	6G1,5	10 m	300,5	<b>09186</b>
2535/4 C1	1000	700 mm	6G1,5	10 m	308,5	<b>09187</b>
2555/4 C5	1000	700 mm	10G2,5	10 m	410,5	<b>09188</b>
2575/4 C5	1000	700 mm	10G2,5	10 m	420,5	<b>09189</b>
2575/4 B6	1000	700 mm	10G2,5	10 m	404,5	<b>09190</b>

## Performance (values per pump)

Type	H [m]	4	5	6	7	8	9	10	11	12	13	14	16	18	20
compli 25/4 C1	104	87	71	51	32	16									
compli 35/4 C1			103	89	72	54	36	21							
compli 55/4 C5							100	87	74	59	45	22			
compli 75/4 C5								100	87	74	44	22			
compli 75/4 B6									91	82	62	41	24		

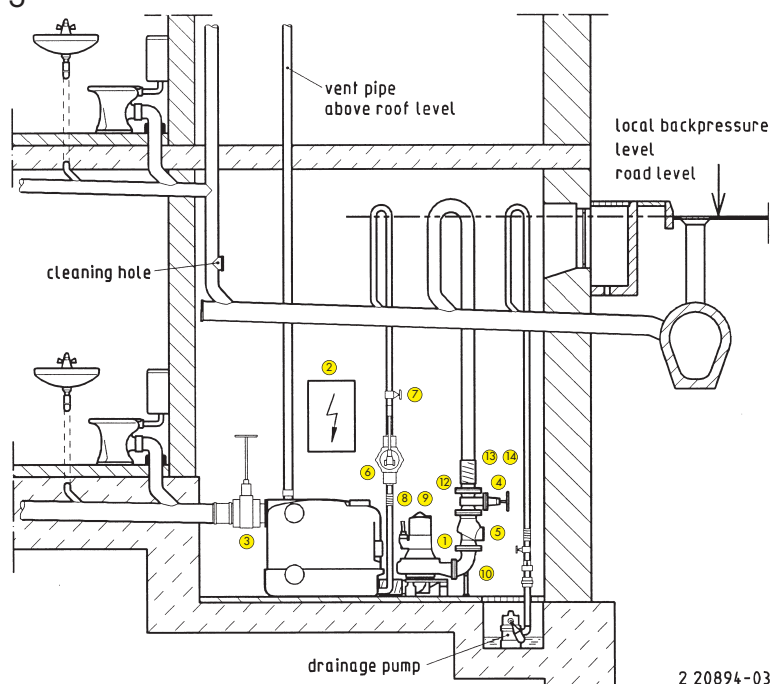
The minimum flow velocity in the pressure piping must be 0,7 m/s according to EN 12056. This data is represented in the performance curve as a limit of application.

## Electrical data

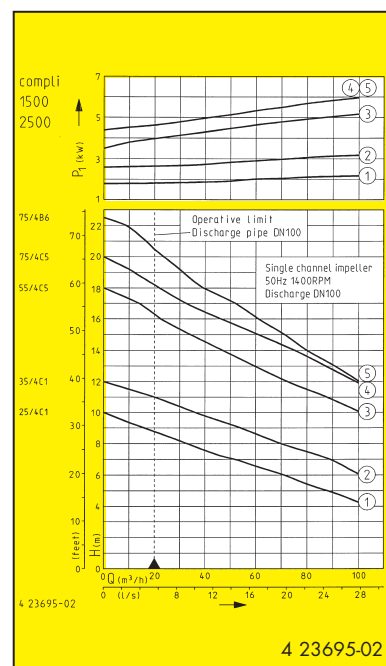
Type	Voltage Volt	Motor rating kW P1	P2	Max. current Amp.	RPM min-1	Max. size solids mm	Inlet flange	Discharge branch n. b. mm	for pipe connection n. b. mm	Vent pipe n. b. mm
compli 25/4 C 1*	3/N/PE~400	2,4	1,90	4,1	1345	100	DN 150	DN 100	DN 100	DN 70
compli 35/4 C 1*	3/N/PE~400	3,5	2,65	6,8	1410	100	DN 150	DN 100	DN 100	DN 70
compli 55/4 C 5*	3/N/PE~400	5,8	4,65	10,2	1420	100	DN 150	DN 100	DN 100	DN 70
compli 75/4 C 5*	3/N/PE~400	7,2	5,90	12,5	1425	100	DN 150	DN 100	DN 100	DN 70
compli 75/4 B 6*	3/N/PE~400	7,2	5,90	12,5	1425	70	DN 150	DN 100	DN 100	DN 70

\* current 3-phase

## Mounting arrangement

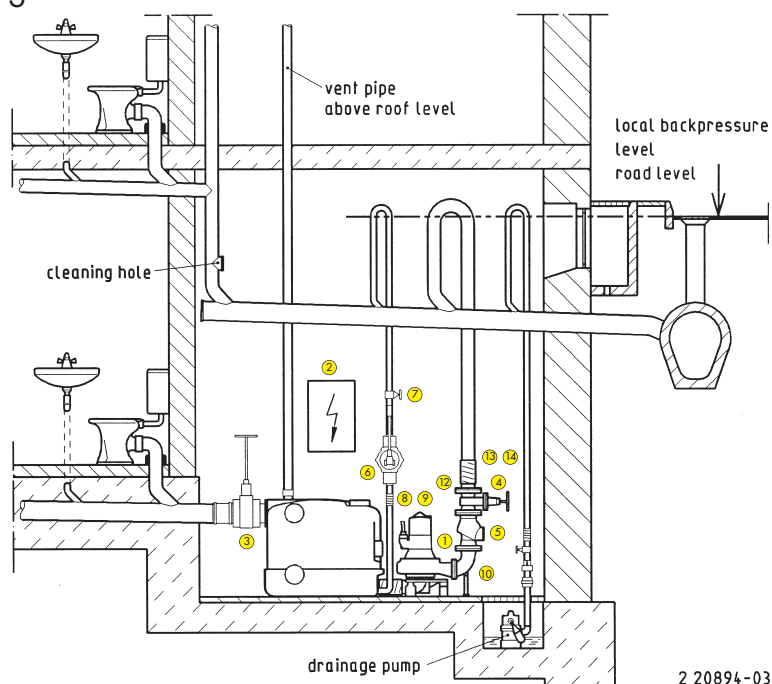


We reserve the right to change specifications without notice.



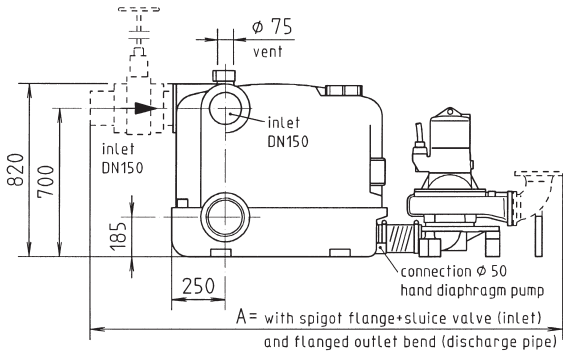
Pump performance is subject to ISO 9906 tolerances

## Mounting arrangement

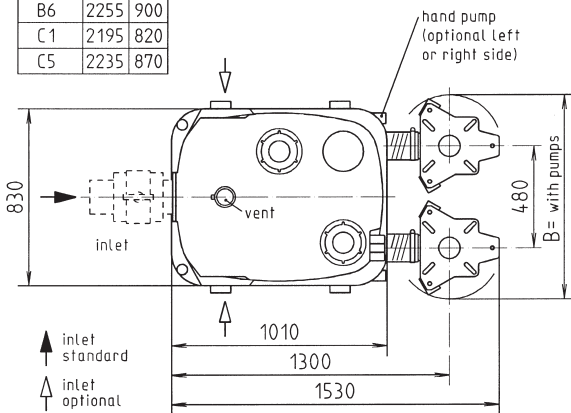


2 20894-03

### Dimensions (mm) compli 1500

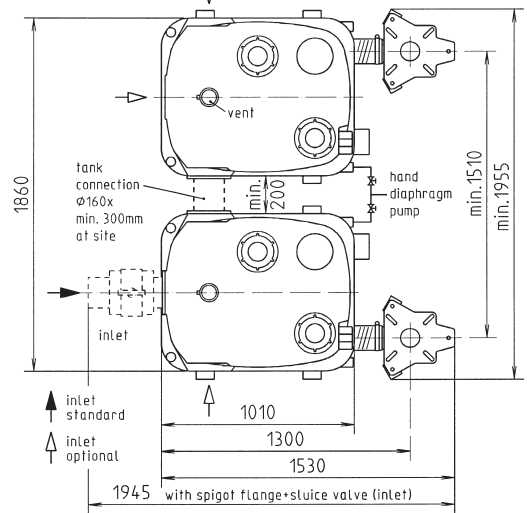
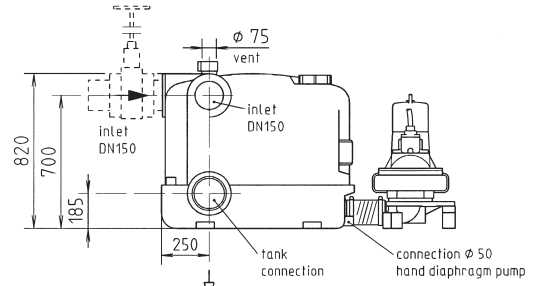


casing	A	B
B6	2255	900
C1	2195	820
C5	2235	870



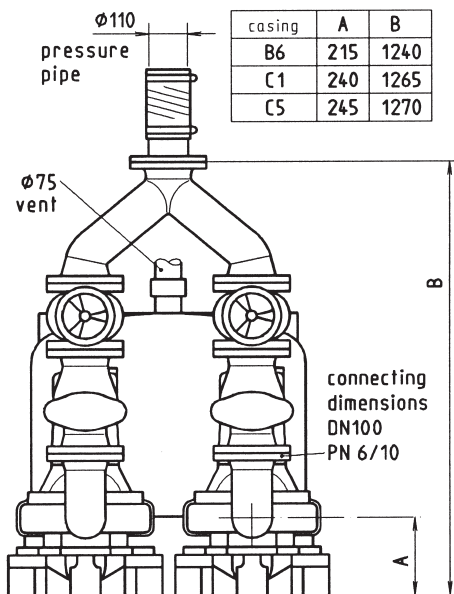
4 23589-04

### Dimensions (mm) compli 2500



4 20710-05

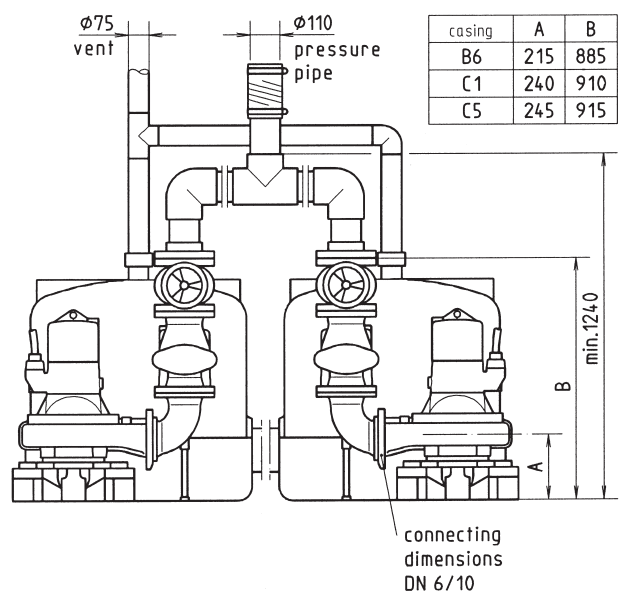
### Dimensions (mm) compli 1500



casing	A	B
B6	215	1240
C1	240	1265
C5	245	1270

4 20778-02

### Dimensions (mm) compli 2500



casing	A	B
B6	215	885
C1	240	910
C5	245	915

4 20779-02

## Accessories

Code No.

- ① **Seal leak control DKG** (for duplex units 2 DKG) **00252**
- ② **Rechargeable battery** for off the line operation of the alarm system **07562**
- ③ **PVC sluice valve** (two pipe sockets) for inlet 6" **28591**  
and tank connection (DN 150) PN 2,5



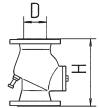
H	L	E	D	
660	450	110	160	for inlet 6"

- ④ **Sluice valve \*** for discharge pipe 4" (DN 100), PN 10, EN 1171 **00329**

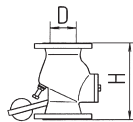


H	L	D	
345	190	DN 100	for discharge pipe 4"

- ⑤ **Swing-type check valve \*** PN 4, flange PN 10, DIN 3202, EN 12050-4

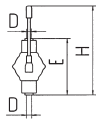


H	D		
	DN	without counterweight	<b>R 101 00325</b>
300	100		



H	D		
	DN	with counterweight, adjustable	<b>R 100 G 00324</b>
300	100		

- ⑥ **Hand diaphragm pump \*** for emergency purpose **00255**  
(for max. del. height up to 15 m)



H	F	D
approx. 640	430	1 1/2"

- ⑦ **Stop valve** 1 1/2" (DN 40), PN 16 **11837**

- ⑧ **Elastic connection** 1 1/2" (DN 40), PN 4 **20368**

- ⑨ **Hose band clamp** 1 1/2" **03571**

- ⑩ **Flanged outlet bend \*** C 100 **00579**



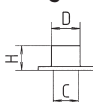
H	B	C/DN	D/DN
175	120	100 PN 10	100 PN 6

- ⑪ **Y-Piece \*** DN 100/100/100, PN 10 (compli 1500 only) **00203**



H	B	C/DN	D/DN
355	480	100	100

- ⑫ **Spigot flange F-KS\*** for discharge pipe, DN 100, plastic **08673**



H	D	C/DN flange
153	110	100 PN 10

- Spigot flange \*** (F-piece) for discharge pipe, C 100, steel **00688**

100	114	100 PN 10
-----	-----	-----------

- ⑬ **Elastic connection** 4" (DN100), PN 4

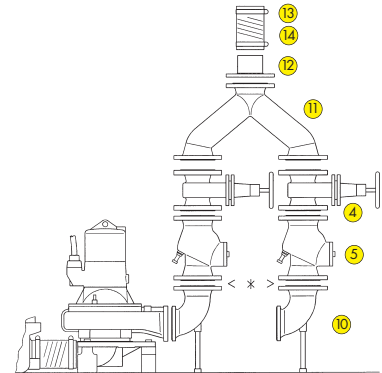


H	D	
200	110	for discharge pipe, DN 100, plastic <b>21043</b>
200	114	for discharge pipe, DN 100, steel <b>16348</b>

- ⑭ **Hose band clamp \*** 4" **03575**

\* c/w screws and gaskets

## Mounting arrangement

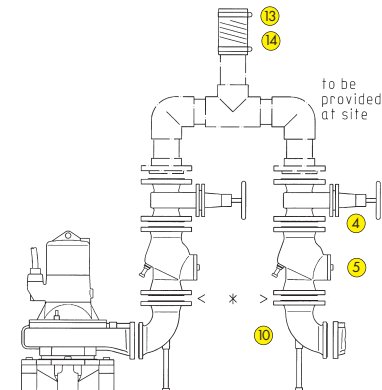


\* Reducing adapter can be supplied.

4 22529-02

The various assembly items i. e. tanks, duckfoot bends, pumps and control panel have to be finally fitted as instructions.

## Mounting arrangement



\* Reducing adapter can be supplied.

4 22530-02