

## Packaged Sewage Disposal Units

### Application

#### compli 400

The compli 400 is the smallest of our packaged sewage disposal units. It has been specifically designed for the disposal of sewage from single dwellings. For easy access and service it is installed on the ground of a basement or in an accessible sump. The ready to connect control unit is pre-wired with the pump and the level control. An additional inlet is available for other waste water discharge points such as shower, washing machine or sink. The compli 400 consists of long lasting materials: rust-proof steel for the shaft and polyethylene for the 50-l-tank.

#### compli 500

The compli 500 has been designed specifically for the disposal of sewage from single dwellings with continued sewage water inlet and for a larger tank volume. It is also extremely easy to handle and installation requires a minimum of space.

The PE-tank has accessible pipe connections and a particularly simple „pinch“ type inlet flange for the connection of pipe or bend. As all units, the maintenance is extremely simple: the tank has a top mounted inspection opening and, if necessary, the pumping unit can be removed/ replaced in minutes and without disturbing the tank assembly.

#### compli 1000

The compli 1000 is one of our series of duplex package sewage disposal units. It should be installed where additional security for sewage disposal is demanded. In certain cases the Local Authority will insist on duplicate systems also on public applications such as restaurants, leisure centers etc., duplex systems are always advised. The standard package is complete with integrated swing-type check valve, making the use of “Y” pieces on the discharge unnecessary.

#### compli 600/1200

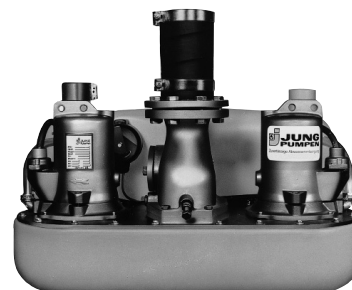
The compli 1200 is provided with a large tank and has specifically been designed for the disposal of sewage from flats and industrial plants where sewage flow is continuous. For ease of installation the unit is provided with variable height inlet 560 to 700 mm. The control unit is provided with mains dependent alarm and a volt-free contact for collective fault signal. The compli 600 has the same tank volume, but provided with a one-pump system.



compli 400



compli 500

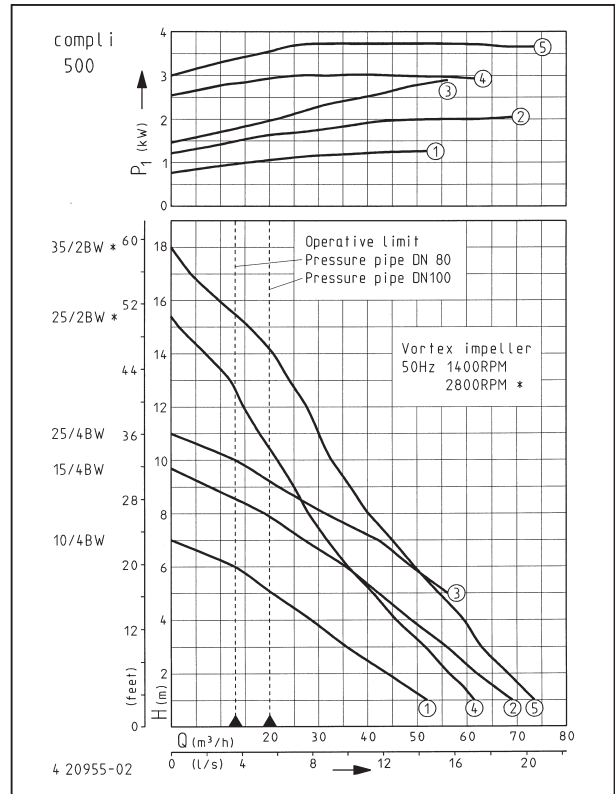
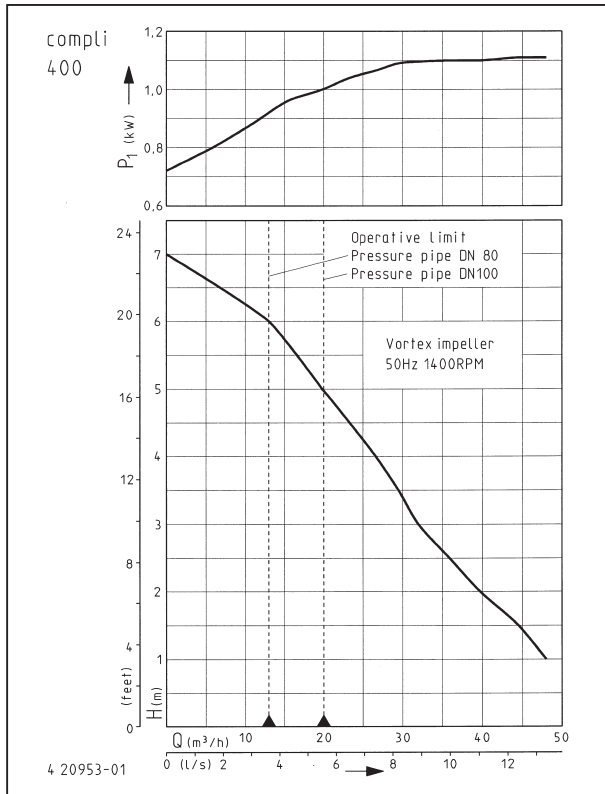


compli 1000



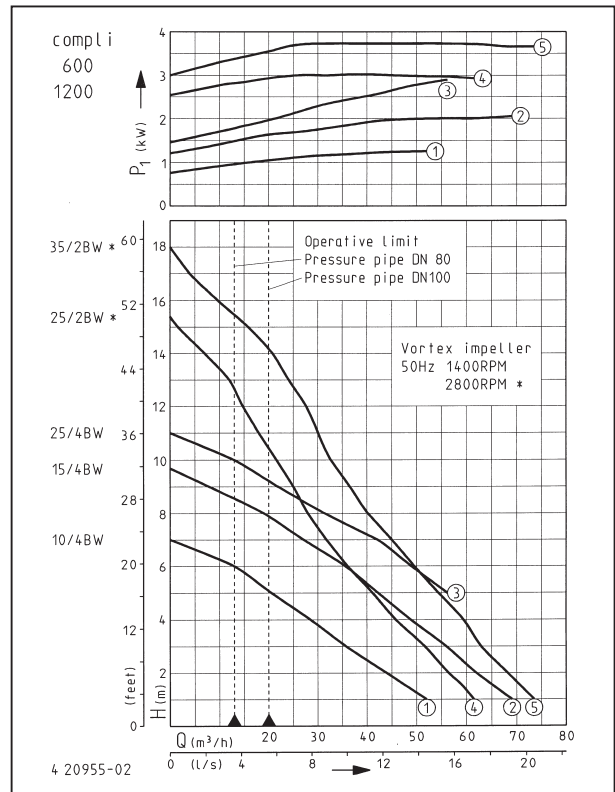
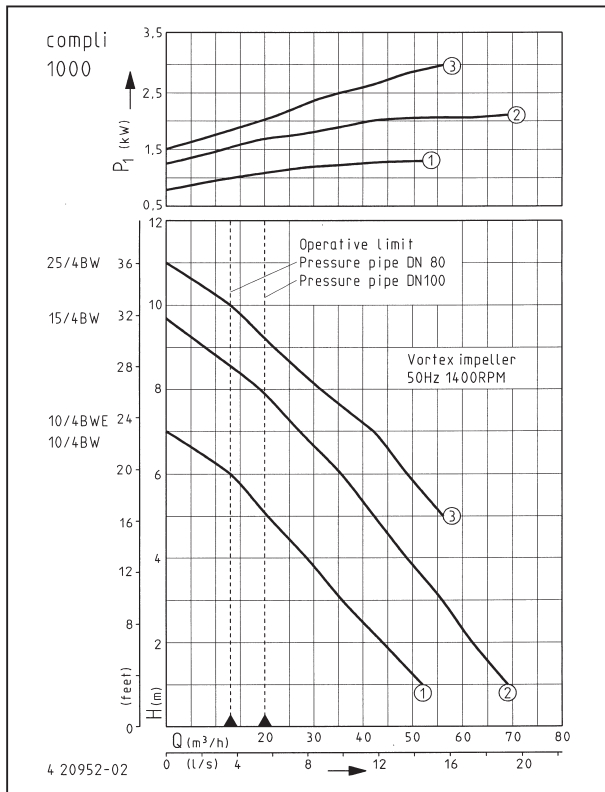
compli 1200

## Performance curves



The minimum flow velocity in the pressure piping must be 0,7 m/s according to EN 12056.  
This data is represented in the performance curve as a limit of application.

We reserve the right to change specifications without notice. Pump performance is subject to ISO 9906 tolerances.



## ■ Packaged Sewage Disposal Unit

Type compli	Tank capacity l	Floor to centre inlet mm	Free passage mm	Inlet flange	Vent Pipe	Weight	Code No.
400	approx. 50	180/250 <sup>+</sup>	70	DN 100	DN 70	55,0	<b>637</b>
400 E (1-phase)	approx. 50	180/250 <sup>+</sup>	70	DN 100	DN 70	56,0	<b>9770</b>
400*	approx. 50	180/250 <sup>+</sup>	70	DN 100	DN 70	70,0	<b>9322</b>
400 E (1-phase)*	approx. 50	180/250 <sup>+</sup>	70	DN 100	DN 70	70,0	<b>9324</b>
510/4 BW	100	315	70	DN 100	DN 70	65,5	<b>9191</b>
515/4 BW	100	315	70	DN 100	DN 70	65,5	<b>9192</b>
525/4 BW	100	315	70	DN 100	DN 70	65,5	<b>9193</b>
525/2 BW	100	315	70	DN 100	DN 70	67,5	<b>9194</b>
535/2 BW	100	315	70	DN 100	DN 70	72,0	<b>9195</b>
510/4 BW S	100	250	70	DN 100	DN 70	65,5	<b>9196</b>
515/4 BW S	100	250	70	DN 100	DN 70	65,5	<b>9197</b>
525/4 BW S	100	250	70	DN 100	DN 70	65,5	<b>9198</b>
525/2 BW S	100	250	70	DN 100	DN 70	65,5	<b>9199</b>
535/2 BW S	100	250	70	DN 100	DN 70	72,0	<b>9200</b>
1010/4 BW E	100	315	70	DN 100	DN 70	123,0	<b>9273</b>
1010/4 BW	100	315	70	DN 100	DN 70	123,0	<b>9829</b>
1015/4 BW	100	315	70	DN 100	DN 70	123,0	<b>9830</b>
1025/4 BW	100	315	70	DN 100	DN 70	123,0	<b>9831</b>
1010/4 BW SE	100	250	70	DN 100	DN 70	123,0	<b>9274</b>
1010/4 BW S	100	250	70	DN 100	DN 70	123,0	<b>9838</b>
1015/4 BW S	100	250	70	DN 100	DN 70	123,0	<b>9839</b>
1025/4 BW S	100	250	70	DN 100	DN 70	123,0	<b>9840</b>
610/4 BW	350	560	70	DN 150	DN 70	118,0	<b>9173</b>
615/4 BW	350	to	70	DN 150	DN 70	118,0	<b>9174</b>
625/4 BW	350	700	70	DN 150	DN 70	118,0	<b>9175</b>
625/2 BW	350	variable	70	DN 150	DN 70	120,0	<b>9176</b>
635/2 BW	350		70	DN 150	DN 70	124,5	<b>9177</b>
1210/4 BW	350	560	70	DN 150	DN 70	145,0	<b>9168</b>
1215/4 BW	350	to	70	DN 150	DN 70	145,0	<b>9169</b>
1225/4 BW	350	700	70	DN 150	DN 70	145,0	<b>9170</b>
1225/2 BW	350	variable	70	DN 150	DN 70	149,0	<b>9171</b>
1235/2 BW	350		70	DN 150	DN 70	158,0	<b>9172</b>

## ■ Performance (values per pump)

Type compli	Delivery head H [m]	1	2	3	4	5	6	7	8	9	10	11	12	15
400		48	40	33	27	20	13							
10/4 BW (S) + BW (S) E		52	44	37	29	22	13							
15/4 BW (S)		69	62	56	49	42	36	27	19					
25/4 BW (S)						56	49	42	32	22	13			
25/2 BW (S)		61	56	51	46	42	36	32	28	25	22	18	13	
35/2 BW (S)		73	68	64	59	54	50	45	40	37	33	30	24	16

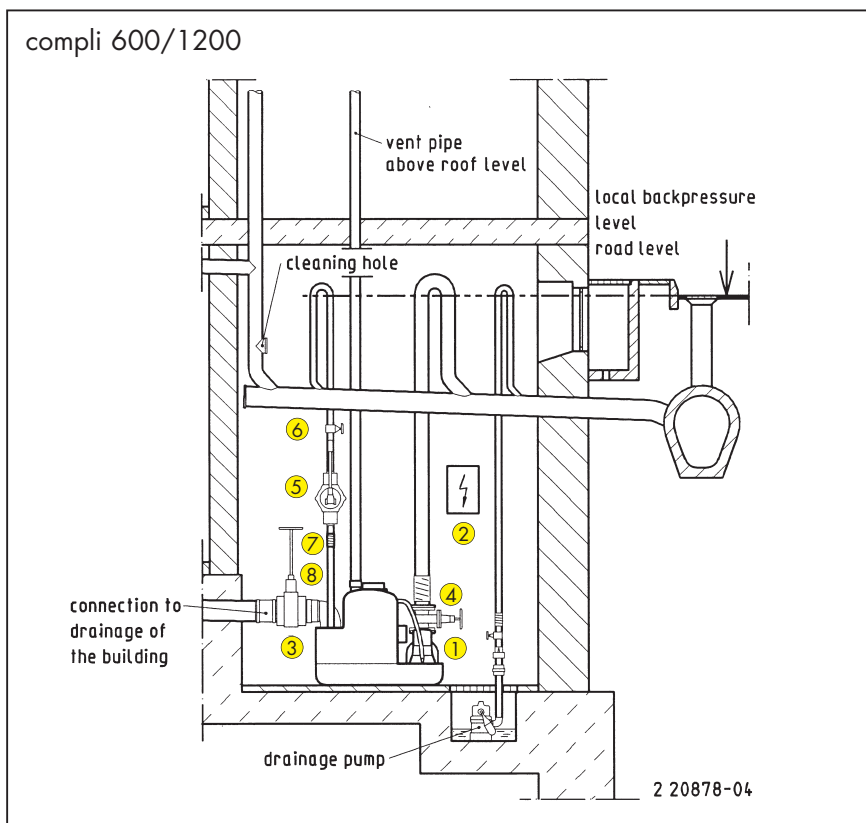
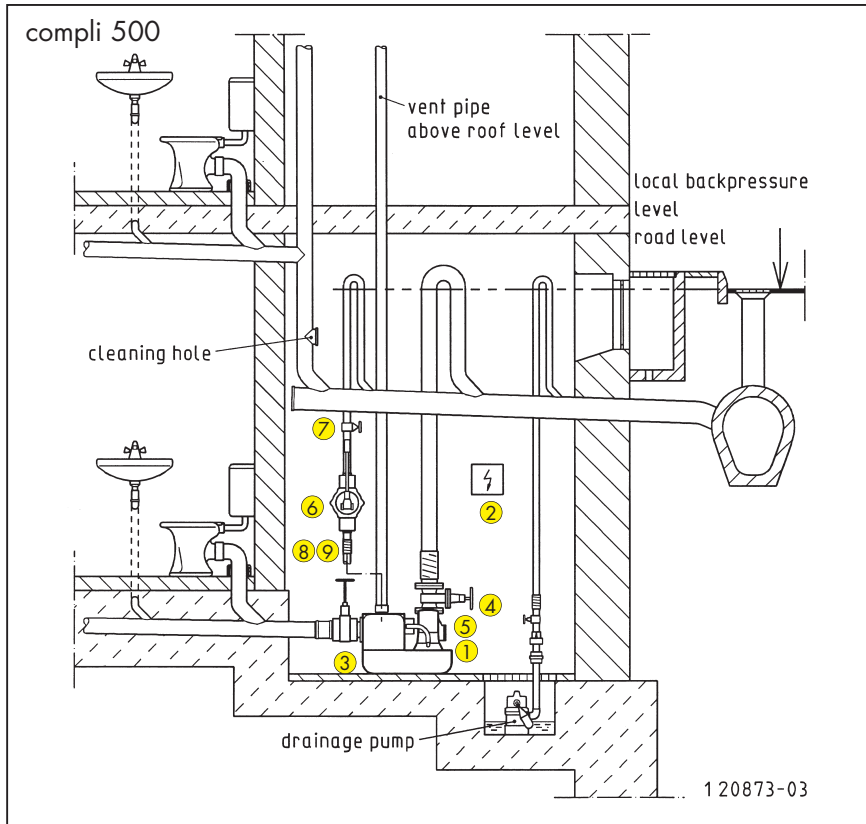
Flow rate Q [m<sup>3</sup>/h]

## ■ Electrical data

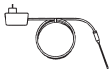

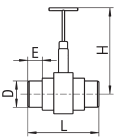
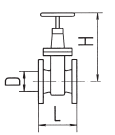
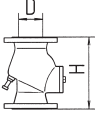
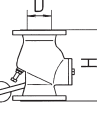
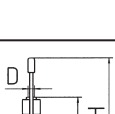
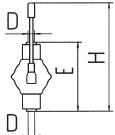
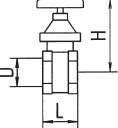
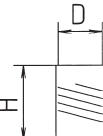

Type	Current	Voltage Volt	Motor rating kW	RPM min <sup>-1</sup>	F.L.C. Amp.	Cable (4m) tank-control unit	Cable (1,5m) control unit - plug	Plug	
400	3- phase	3N~400	1,25	0,87	1390	2,2	H07RN-F-6G1,5	H05VV-F-5G1,5	CEE-
400 E	1- phase	1N~230	1,55	1,10	1428	7,1	H07RN-F-4G1,5	H05VV-F-3G1,5	Safety-
10/4 BW (S) E	1- phase	1N~230	1,55	1,10	1428	7,1	H07RN-F-4G1,5	H05VV-F-3G1,5	Safety-
10/4 BW (S)	3- phase	3N~400	1,3	1,0	1451	2,8	H07RN-F-6G1,5	H05VV-F-5G1,5	CEE-
15/4 BW (S)	3- phase	3N~400	2,2	1,7	1405	3,9	H07RN-F-6G1,5	H05VV-F-5G1,5	CEE-
25/4 BW (S)	3- phase	3N~400	3,0	2,2	1363	5,1	H07RN-F-6G1,5	H05VV-F-5G1,5	CEE-
25/2 BW (S)	3- phase	3N~400	3,2	2,5	2812	5,3	H07RN-F-6G1,5	H05VV-F-5G1,5	CEE-
35/2 BW (S)	3- phase	3N~400	4,0	3,3	2886	7,0	H07RN-F-6G1,5	H05VV-F-5G1,5	CEE-

\* with integrated swing-type check valve + adjustable inlet

## Mounting arrangement

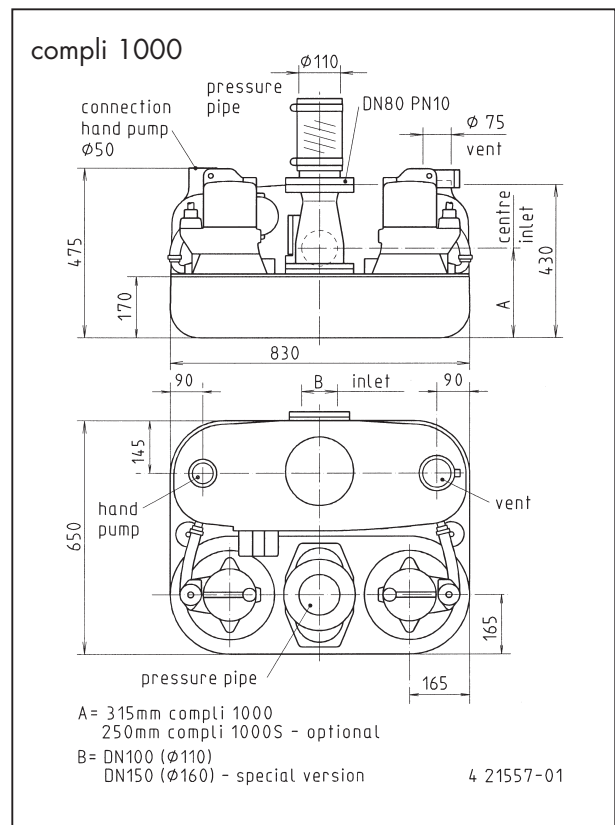
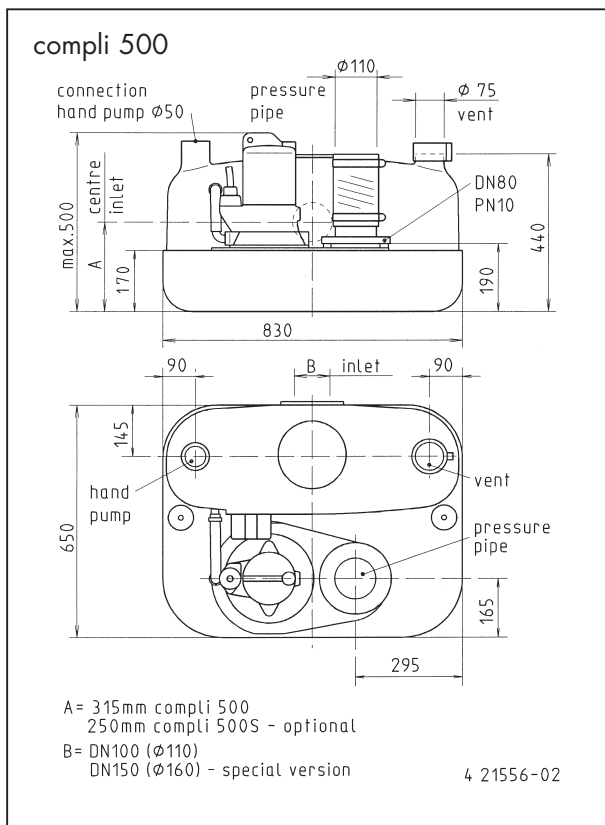
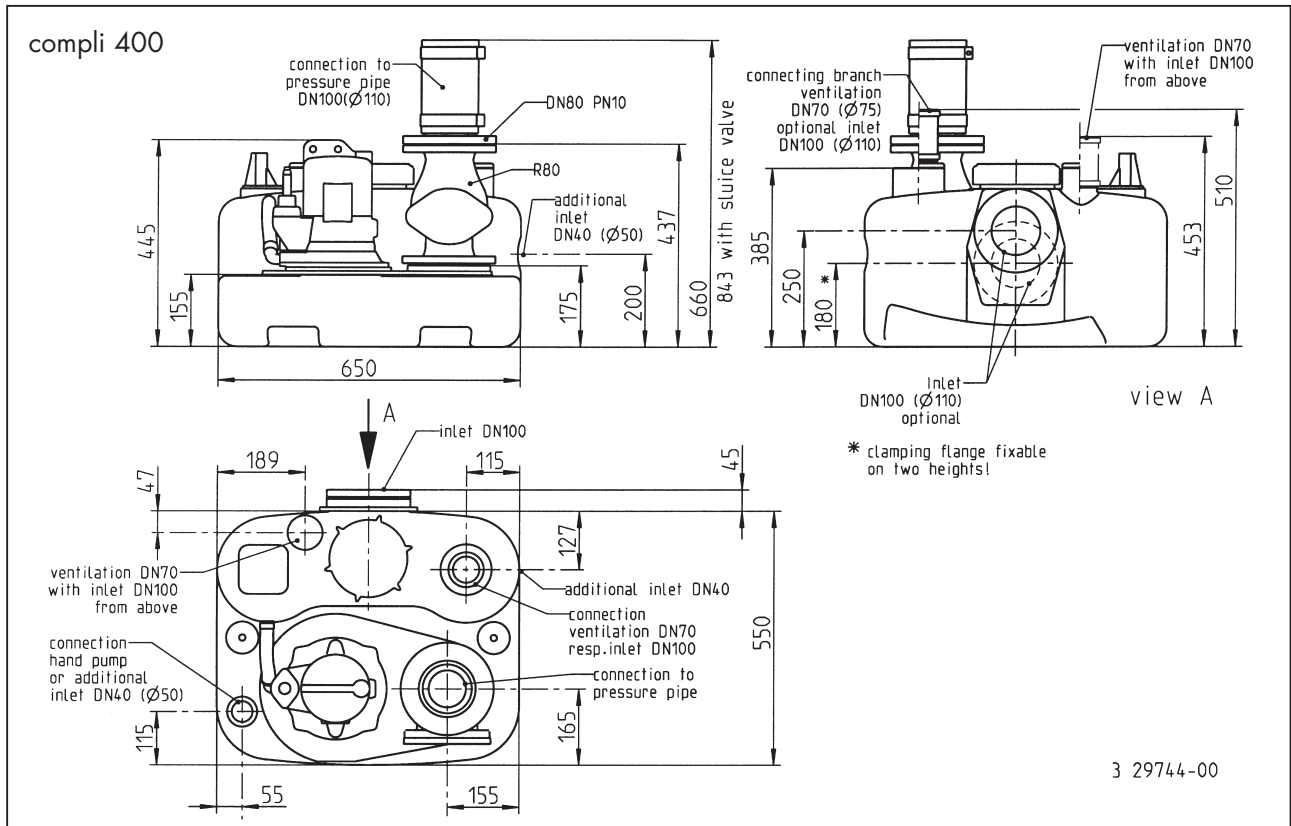


## Accessories

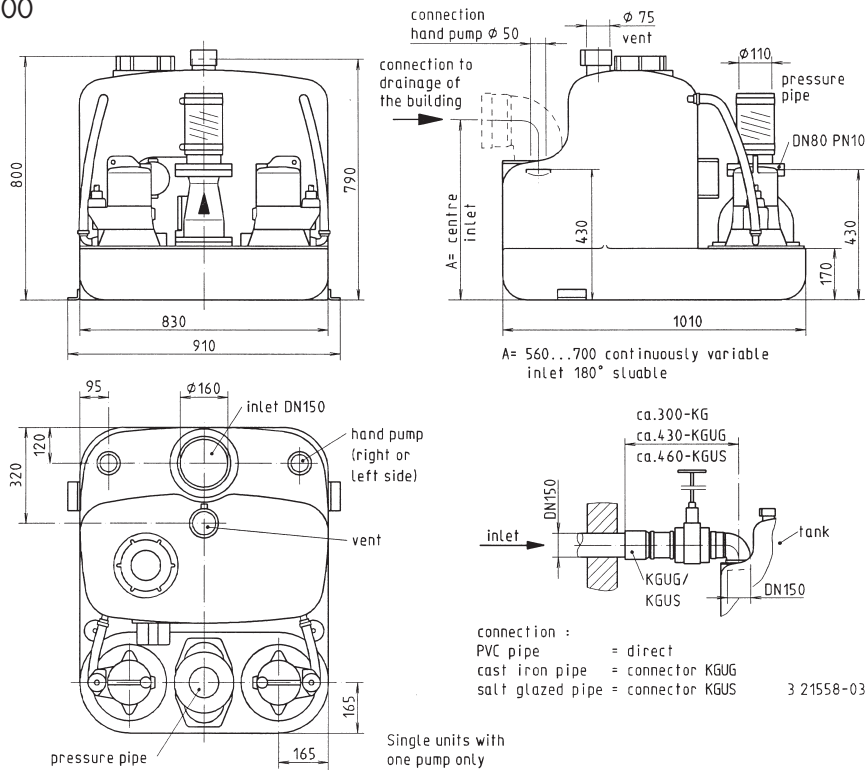
	Code No.	c 400	c 500	c 1000	c 600/1200																				
 <p>① <b>Seal leak control unit DKG</b> (for 25/2 BW and 35/2 BW)</p>	252		•		•																				
 <p>② <b>Rechargeable battery</b> for off the line operation of the alarm system</p>	7562	•	•	•	•																				
 <p>③ <b>PVC sluice valve</b> (two pipe sockets) for inlet 4" (DN 100), PN 2,5</p>	28297	•	•	•																					
 <p>④ <b>PVC sluice valve*</b> for discharge pipe 3" DN 80, PN 10, EN 1171</p> <table border="1"> <thead> <tr> <th>H</th> <th>L</th> <th>E</th> <th>D</th> <th></th> </tr> </thead> <tbody> <tr> <td>360</td> <td>295</td> <td>60</td> <td>110</td> <td>for inlet 4"</td> </tr> <tr> <td>660</td> <td>450</td> <td>110</td> <td>160</td> <td>for inlet 6"</td> </tr> <tr> <td>315</td> <td>180</td> <td>-</td> <td>DN 80</td> <td>for discharge pipe 3"</td> </tr> </tbody> </table>	H	L	E	D		360	295	60	110	for inlet 4"	660	450	110	160	for inlet 6"	315	180	-	DN 80	for discharge pipe 3"	28591				•
H	L	E	D																						
360	295	60	110	for inlet 4"																					
660	450	110	160	for inlet 6"																					
315	180	-	DN 80	for discharge pipe 3"																					
 <p>⑤ <b>Swing-type check valve * R 80</b>, PN 4, flange PN 10 without counterweight, DIN 3202, EN 12050-4</p>	706	•	•																						
 <p><b>Swing-type check valve * R 80 G</b>, PN 4, flange PN 10 with counterweight adjustable, DIN 3202, EN 12050-4</p>	707	•	•																						
 <p><b>Ball check valve * K 80</b>, PN 4, flange PN 10, DIN 3202 EN 12050-4</p> <table border="1"> <thead> <tr> <th>H</th> <th>D/DN</th> </tr> </thead> <tbody> <tr> <td>260</td> <td>80</td> </tr> </tbody> </table>	H	D/DN	260	80	9842	•	•																		
H	D/DN																								
260	80																								
 <p>⑥ <b>Hand diaphragm pump</b> for emergency purpose (for max. del. height up to 15 m)</p> <table border="1"> <thead> <tr> <th>H</th> <th>E</th> <th>D</th> </tr> </thead> <tbody> <tr> <td>appr. 640</td> <td>430</td> <td>1 1/2"</td> </tr> </tbody> </table>	H	E	D	appr. 640	430	1 1/2"	255	•	•	•	•														
H	E	D																							
appr. 640	430	1 1/2"																							
 <p>⑦ <b>Stop valve 1 1/2" DN 40</b>, PN 16</p> <table border="1"> <thead> <tr> <th>H</th> <th>L</th> <th>D</th> </tr> </thead> <tbody> <tr> <td>125</td> <td>max.60</td> <td>1 1/2"</td> </tr> </tbody> </table>	H	L	D	125	max.60	1 1/2"	11837	•	•	•	•														
H	L	D																							
125	max.60	1 1/2"																							
 <p>⑧ <b>Elastic connection 1 1/2" DN 40</b>, PN 4</p> <table border="1"> <thead> <tr> <th>H</th> <th>D</th> </tr> </thead> <tbody> <tr> <td>120</td> <td>50</td> </tr> </tbody> </table>	H	D	120	50	20368	•	•	•	•																
H	D																								
120	50																								
 <p>⑨ <b>Hose band clamp 1 1/2"</b></p>	3571	•	•	•	•																				

\* with screws and gaskets

**Dimensions (mm)**



### compli 600/1200



For your safety we recommend:

- 60 cm working area above and around all parts that have to be operated
- an additional pump sump for the drainage of the operational room
- a swing-type check valve at the outlet
- a stop valve at the outlet
- a stop valve at the inlet
- a bouyancy-proof installation

All units are supplied with a discharge flange n.b. 80/PN 10 but with spigot flange DN 100. If the swing-type check valve is to be mounted directly on the unit it must have a dimension of 80 mm n.b. The discharge pipe can then be connected with the 100 mm elastic connection.

---

## Technical data

### **Pump**

Vertical, single-stage, submersible, vortex impeller, spiral casing with vertical discharge DN 100, flanged to PE-tank with top mounted cleaning operture, compli 1000 and compli 600/1200 with opening duplex swing-type check valve.

### **Bearing**

Common shaft for pump and motor, greased ball bearings.

### **Seal**

compli 400 two radial lip seals. 10/4-25/4 BW duplex rotary shaft seal, 25/2 BW and 35/2 BW silicon carbide mechanical seals (independent of rotation and safe to run dry). Oil chamber with duplex rotary shaft seal towards the motor section. A seal leak control can be connected at 25/2 BW and 35/2 BW.

### **Motor**

Submersible, type of enclosure IP 68, insulation class F, winding thermostates against overheating for the protection of the operating mechanism, automatic starting via level control and control unit (compli 400) and rotary level control with reed contacts and control unit (compli 500, 1000, 600/1200). Power supply via CEE-plug 16 A or safety-plug. Method operation S3 according to VDE.

### **Materials compli 400 and compli 500**

Tank made of corrosion resistant and non-polluting polyethylene. Pumpmotor housing and vortex impeller from GG grey cast iron (compli 400 vortex impeller from GFK), shaft from stainless steel (compli 400, 10/4-25/4 BW) or non contact against fluid to be pumped (25/2 and 35/2 BW), supply through rubber insulated flexible cable.

### **Materials compli 1000 and compli 600/1200**

Tank made of corrosion resistant and non-polluting polyethylene. Pump- and motor housing, vortex impeller and swing-type check valve from GG grey cast iron, shaft from stainless steel (10/4-25/4 BW) or non contact against fluid to be pumped (25/2 and 35/2 BW), supply through rubber insulated flexible cable.

### **Supply compli 400**

Ready to connect sewage disposal unit acc. to EN 12050 with height adjustable clamp flange DN 100 for inlet height 180/250 mm, additional inlets ø 50 mm horizontal and vertical, inlet facility DN 100 from above, mounted submersible pump and connecting flange DN 80 with piece of pipe ø 110, alternatively with integrated swing-type check valve DN 80, one elastic connection with hose band clamps each for pressure pipe and ventilation pipe. Automatic built-in level control, control unit (type of enclosure IP 44) with motor contactor, control transformer, integrated mains dependent alternatively receiptable alarm system and volt-free contacts for collective fault signal, indicator lamps for sense of rotation (3-phase), alarm and operation, pushbutton for daily trial run. The control unit can also be equipped with a microprocessor unit on request.

Cable length:

tank - control unit 4 m

control unit - plug 1,5 m

Accessories to be ordered according to the mounting drawing.

### **Supply compli 500,1000 and 600/1200**

Ready to connect sewage disposal unit acc. to EN 12050 with clamping joint for inlet DN 100/150, mounted submersible pump (duplex units two pumps) and connecting flange DN 80 with piece of pipe ø 110, integrated duplex swing-type check valve for compli 1000 and compli 600/1200, one elastic connection with hose band clamps for pressure pipe and ventilation pipe. Automatic rotary level control with reed contacts, control unit (type of enclosure IP 44) with motor contactor, control transformer, integrated mains dependent alarm system and volt-free contacts for collective fault signal, indicator lamps for sense of rotation (only for 3-phase), alarm and operation and Hand-Off-Automatic selector (2x for duplex units). The control unit can also be equipped with a microprocessor unit on request.

Cable length:

tank - control unit 4 m

control unit - plug 1,5 m

Accessories to be ordered according to the mounting drawing.