

## Application

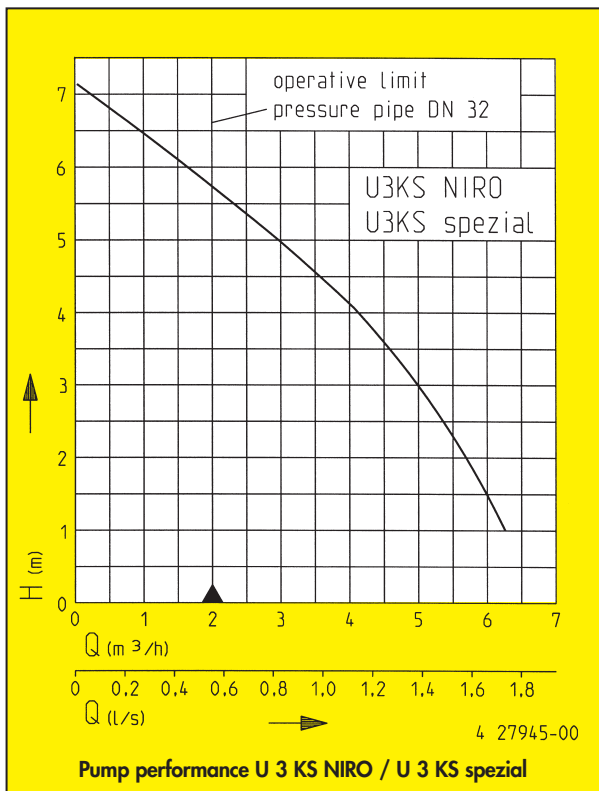
The Hebefix floor-mounted sump is a complete drainage pumping station in miniature. It consists of a plastic tank (approx. 25 l) that can be floor or wall mounted with an inlet sleeve for 40 mm PVC/HT tubing above and three additional inlets on the sides. The lower inlet sleeves on the sides are designed for 50 mm PVC/HT tubing. The U 3 KS NIRO cellar drainage pump intended for the Hebefix tank is connected to the prepared tube connection and automatically pumps the waste water entering the tank to the nearest drain pipe. It is thus possible to provide a drain for a wash basin in any desired position – even below the local backup level – without expensive masonry work and without excavating the floor. A washing machine, dishwasher and a floor-level shower can also be connected.

Connection to a ventilation pipe prevents odours. If no ventilation pipe is connected, the activated carbon filter prevents the build-up of unpleasant odours. It is recommended to install an alarm system. This provides warning if the water level exceeds the permissible limit and, if necessary, switches off the washing machine (AWR 3).

The **scope of supply** comprises plastik tank with integrated connection hose, clamps, swing-type check valve as supplementary set to the U 3 KS NIRO, activated carbon filter, hose connection for the washing machine (upper side connections), rubber feet and wall mounting parts, **(without pump)**.

This unit complies to the EN 12050.

The minimum flow velocity in the pressure piping must be 0,7 m/s according to EN 12056. This data is represented in the performance curve as a limit of application.

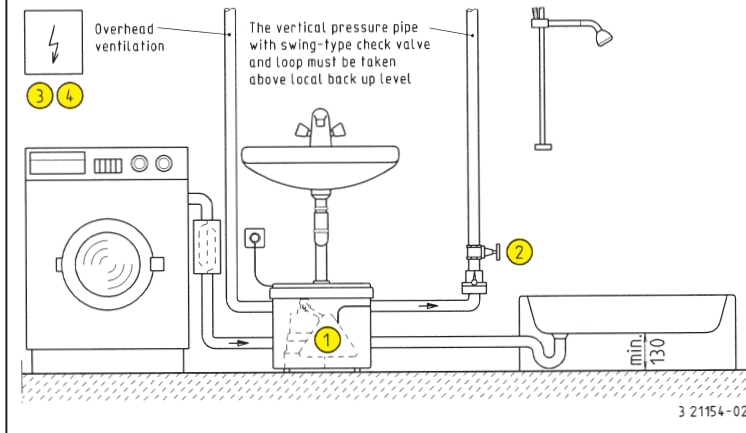


- ▶ **Overflow valve**
- ▶ **Wall attachment**
- ▶ **Alarm system possible**
- ▶ **Disposal of condensate from condensing boilers (only U 3 KS spezial)**
- ▶ **Cover with spring-loaded latch**
- ▶ **Selectable side of discharge**
- ▶ **Swing-type check valve**
- ▶ **Activated carbon filter**

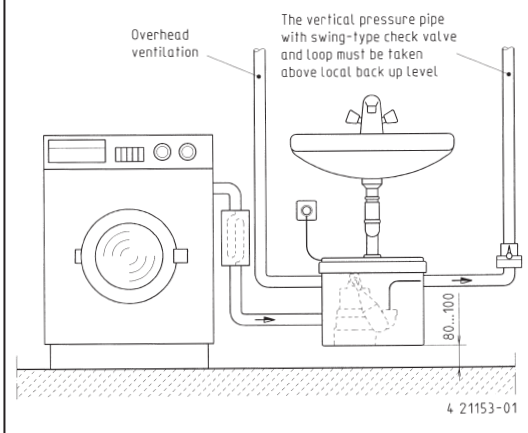


We reserve the right to change specifications without notice. Pump performance is subject to ISO 9906 tolerances.

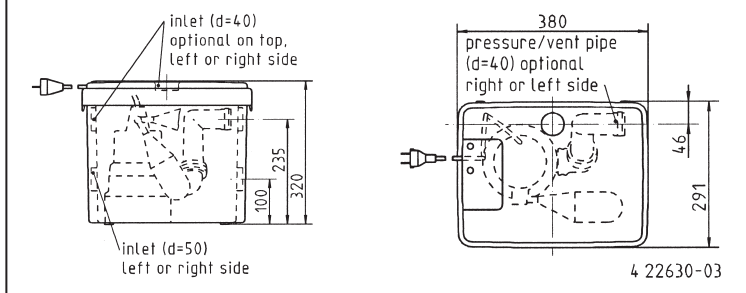
## Mounting arrangement Hebefix



## Hebefix (Wall attachment)



## Dimensions (mm)




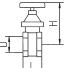
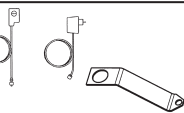
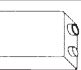
A shower tray can be connected to the lower inlets (left or right side, distance 100 mm above floor). The standard float of the pump has to be replaced by the special low level float Code No. 17424. Upon simultaneous installation of an alarm system the according fastening for the alarm switch has to be taken into account. (Please consider when ordering!)

The Hebefix can be mounted on the floor. A wall mounting is also possible to provide more free floor space and to make cleaning easier and faster.

## Floor-mounted sump

Type	Height x Width x Depth	Connection	Weight	Code No.
Hebefix tank, white without pump	320 x 380 x 291 mm	3 x 40 mm 2 x 50 mm	3 kg	<b>1063</b>
suitable for U 3 KS NIRO (cable length 3 m)				<b>206</b>
or U 3 KS NIRO (cable length 10 m)				<b>9808</b>
or U 3 KS spezial for disposal of condensate from condensing boilers				<b>9563</b>

## Accessories

	<b>1</b> <b>Special low level float</b> (switching high ON approx. 110 mm, OFF approx. 50 mm)	<b>17424</b>
	<b>2</b> <b>Stop valve</b> , 1 1/4" (DN 32), PN 16	<b>11836</b>
	<b>3</b> <b>Alarm system</b> , mainsdependent, with volt-free contact <b>Alarm system for washing machines AWR 3</b> with reed switch, separate, mains operated, 3 m cable <b>Fastener</b> for alarm system/special low level float	<b>20198</b> <b>25092</b> <b>28191</b>
	<b>4</b> <b>Rechargeable battery</b> for off the line operation of the alarm system	<b>7562</b>

## Performance

Type	Delivery head H [m]	1	2	3	4	5	6
U 3 KS NIRO	Flow rate Q [m <sup>3</sup> /h]	6,5	5,5	5,0	4,0	3,0	1,5
U 3 KS spezial		6,5	5,5	5,0	4,0	3,0	1,5