

## Application

The submersible pumps of this range UB 62-251 can be used wherever rain-, ground-, leak-, drainage- or sewage water with impurity of up to 10 mm particle size occurs.

The main application are on building sites, like structural and civil engineering, sewage-construction and building mines. They can also be used for taking water out of rivers and reservoirs as well as for filling and emptying containers. The standard fix-coupling makes a quick connection of the pressure tube possible.

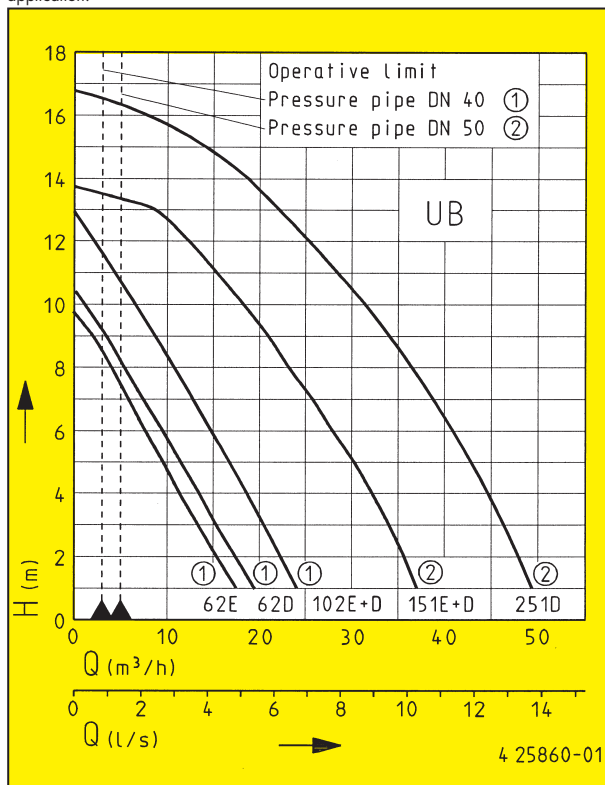
The pumps are exclusively to use under portable conditions. A controllable oil chamber and wear-resistant special mechanical seal ensure a long service life.

They must not be used for pumping sewage from lavatories and urinals.

The pumps are delivered completely with lead and plug. The CEE-plug of the three-phase pumps has an integrated phase inverter which facilitates the employment.



The minimum flow velocity in the pressure piping must be 0,7 m/s according to EN 12056. This data is represented in the performance curve as a limit of application.



- ▶ Safe to run dry
- ▶ Portable
- ▶ Integrated fix-coupling
- ▶ 10 mm passage
- ▶ Controllable oil chamber
- ▶ SiC mechanical seal independent of rotation direction
- ▶ Moisture sealed cable inlet



We reserve the right to change specifications without notice. Pump performance is subject to ISO 9906 tolerances.

## Submersible pumps for building sites UB 62-251

Type	Height x Width	Discharge branch C-Coupling	Free passage	Cable quality H07RN-F-	Cable with plug	Cable with phase inverter	Weight	Code No.
<b>Pumps without level control</b>								
UB 62 E	380 x 305 mm	DN 40	10 mm	3G1,0	10 m		13,0 kg	<b>9816</b>
UB 62 D	380 x 305 mm	DN 40	10 mm	4G1,0		10 m	13,5 kg	<b>9817</b>
UB 102 E	410 x 305 mm	DN 40	10 mm	3G1,0	10 m		15,0 kg	<b>9282</b>
UB 102 D	410 x 305 mm	DN 40	10 mm	4G1,0		10 m	15,5 kg	<b>533</b>
<b>Pumps with built-in level control</b>								
UB 62 ES	380 x 305 mm	DN 40	10 mm	3G1,0	10 m		13,5 kg	<b>9818</b>
UB 62 DS	380 x 305 mm	DN 40	10 mm	4G1,0		10 m	14,0 kg	<b>9819</b>
UB 102 ES	410 x 305 mm	DN 40	10 mm	3G1,0	10 m		15,5 kg	<b>9283</b>
UB 102 DS	410 x 305 mm	DN 40	10 mm	4G1,0		10 m	16,0 kg	<b>534</b>
<b>Pumps without level control</b>								
UB 151 E	360 x 410 mm	DN 50	10 mm	4G1,0	10 m		28,5 kg	<b>9295</b>
UB 151 D	360 x 410 mm	DN 50	10 mm	5G1,5		10 m	29,5 kg	<b>598</b>
UB 251 D	360 x 410 mm	DN 50	10 mm	5G1,5		10 m	29,5 kg	<b>617</b>
<b>Pumps with built-in level control</b>								
UB 151 ES	360 x 410 mm	DN 50	10 mm	4G1,0	10 m		30,0 kg	<b>9296</b>
UB 151 DS	360 x 410 mm	DN 50	10 mm	5G1,5		10 m	30,5 kg	<b>9297</b>
UB 251 DS	360 x 410 mm	DN 50	10 mm	5G1,5		10 m	30,5 kg	<b>9298</b>

## Performance

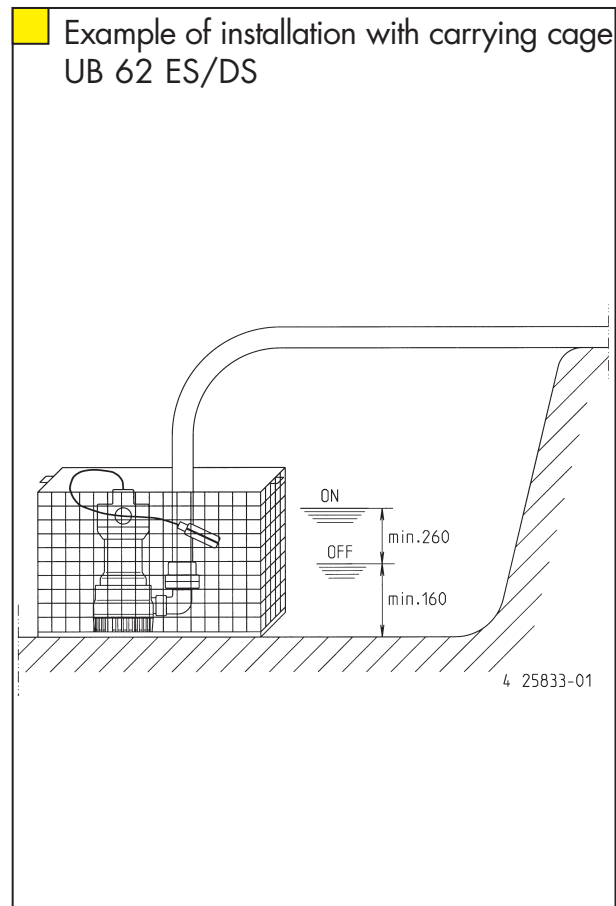
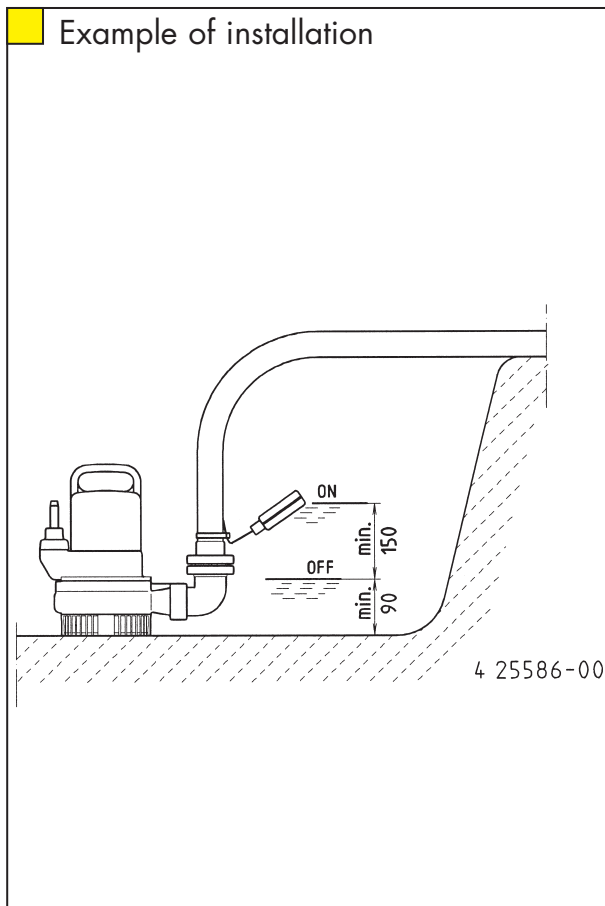
Type	Delivery head H [m]	1	2	3	4	5	6	7	8	9	10	12	14	16
UB 62 E/ES	Flow rate Q [m <sup>3</sup> /h]	17	15	13	11	9	8	6	4	2				
UB 62 D/DS		19	18	15	13	11	9	8	6	4				
UB 102 E/ES/D/DS		24	22	21	19	17	15	13	11	9	7	2		
UB 151 E/ES/D/DS		38	36	34	33	31	29	27	24	21	19	14		
UB 251 D/DS		49	48	46	45	43	41	39	37	34	32	26	19	10

## Electrical data

Type	Type of current	Voltage Volt	Motor rating kW		RPM min <sup>-1</sup>	F.L.C. Amp.	Motorprotection	Plug
			P <sub>1</sub>	P <sub>2</sub>				
UB 62 E/ES	1- phase	1N~230	0,83	0,50	2510	3,9	in motor	Safety-
UB 62 D/DS	3- phase	3~400	0,85	0,60	2800	1,4	in motor	CEE-
UB 102 E/ES	1- phase	1N~230	1,37	0,98	2700	6,0	in motor	Safety-
UB 102 D/DS	3- phase	3~400	1,36	1,06	2740	2,4	in motor	CEE-
UB 151 E/ES	1- phase	1N~230	1,68	1,19	2812	7,6	in plug	Safety-
UB 151 D/DS	3- phase	3N~400	1,60	1,30	2925	3,0	in plug	CEE-
UB 251 D/DS	3- phase	3N~400	2,60	2,10	2860	4,4	in plug	CEE-

Accessories UB 62-251

	Code No.	62 E	62 ES	62 D	62 DS	102 E	102 ES	102 D	102 DS	151 E	151 ES	151 D	151 DS	251 D	251 DS
<b>Fully synthetic flexible hose</b> 52 mm, 15,0 m long, with solid fire hose couplings size C	<b>336</b>	•	•	•	•	•	•	•	•	•	•	•	•	•	•
<b>Antikink</b> for flexible hose	<b>25707</b>	•	•	•	•	•	•	•	•	•	•	•	•	•	•
<b>Carrying cage</b> , zinc coated L 615 x W 455 x H 400 (mm)	<b>25706</b>	•	•	•	•	•	•	•	•	•	•	•	•	•	•
<b>Tool for hose coupling</b>	<b>25708</b>	•	•	•	•	•	•	•	•	•	•	•	•	•	•
<b>Chain</b> with rings, DIN 766, 2,5 m, 320 kg	<b>19189</b>	•	•	•	•	•	•	•	•	•	•	•	•	•	•
<b>Shackle</b> A 0,6	<b>13402</b>	•	•	•	•	•	•	•	•	•	•	•	•	•	•



## Technical data

### Pump

Vertical, single-stage, submersible, spiral casing with horizontal discharge with stationary coupling C, open vortex impeller, 10 mm passage.

### Bearing

Common shaft for pump and motor, with ball bearings, deep groove ball bearing with grease chamber, (from UB 151 onwards angular ball bearing).

### Seal

Silicon carbide mechanical seal, oil chamber and duplex rotary shaft seal towards the motor section, safe to run dry, a seal leak control can be connected.

### Motor

Submersible, motor type of enclosure IP 68, insulation class B or F (UB 151 and UB 251), winding thermostat protects the motor from overload, starting via plug, automatically via mounted circuit or rather submersible ball contact switch (UB 151 and 251), continuously variable switch points.

### Materials

Spiral housing made of GG grey cast iron, supply through rubber insulated flexible cable.

**UB 62 and UB 102:** terminal board cover, impeller, wear plate and foot strainer made of GFK, motor casing and shaft from stainless steel.

**UB 151 and UB 251:** motor housing and cable inlet made of GRP, rubber coated wear plate, shaft made of C 45 steel encapsulated, open vortex impeller and foot strainer made of GFK.

### Installation

Install pump vertically, hose connection size C is provided.

### Supply

Pump acc. to EN 12050 ready for connection with cable and safety-plug (1-phase) or CEE-plug with phase inverter (3-phase).

