

sc instal pompe sb s.r.l
sura mica sibiu
principala 96
0040-557270
Tel. 0755418009 Fax 0269577151

Duty Curve

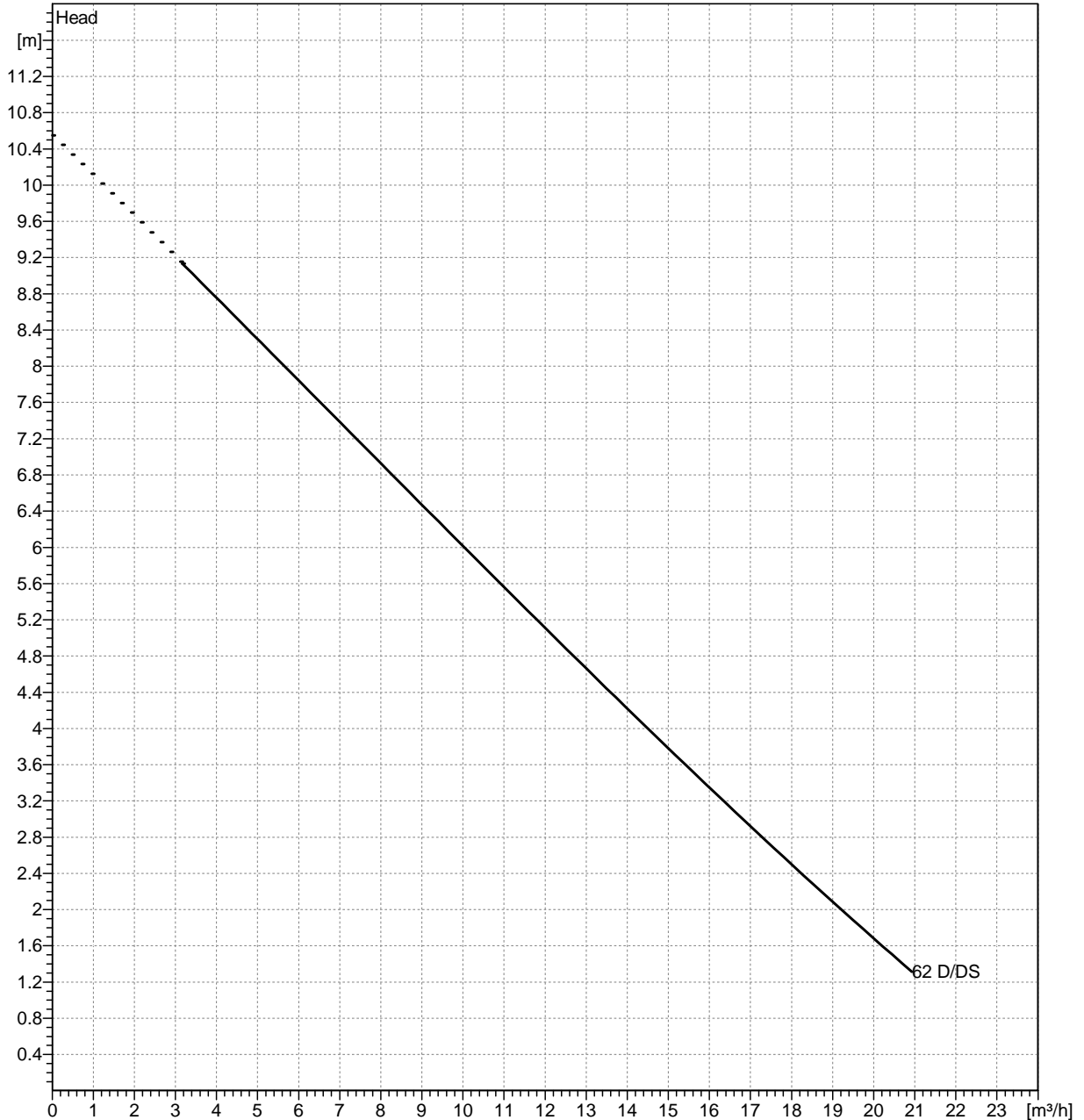


<Kunde:>
<Straße>
<PLZ / Ort>
<Telefonnummer>

Project <Projekt:>
Project ID Kennlinie / Performance Curve
Created by: <Erstellt durch>

Page: 2 / 3
Date: 2009-02-06

US 62 D



Pump: US 62 D

Fluid: Wastewater

Operating point (single):
Operating point (parallel):

sc instal pompe sb s.r.l
 sura mica sibiu
 principala 96
 0040-557270
 Tel. 0755418009 Fax 0269577151

Main dimensions

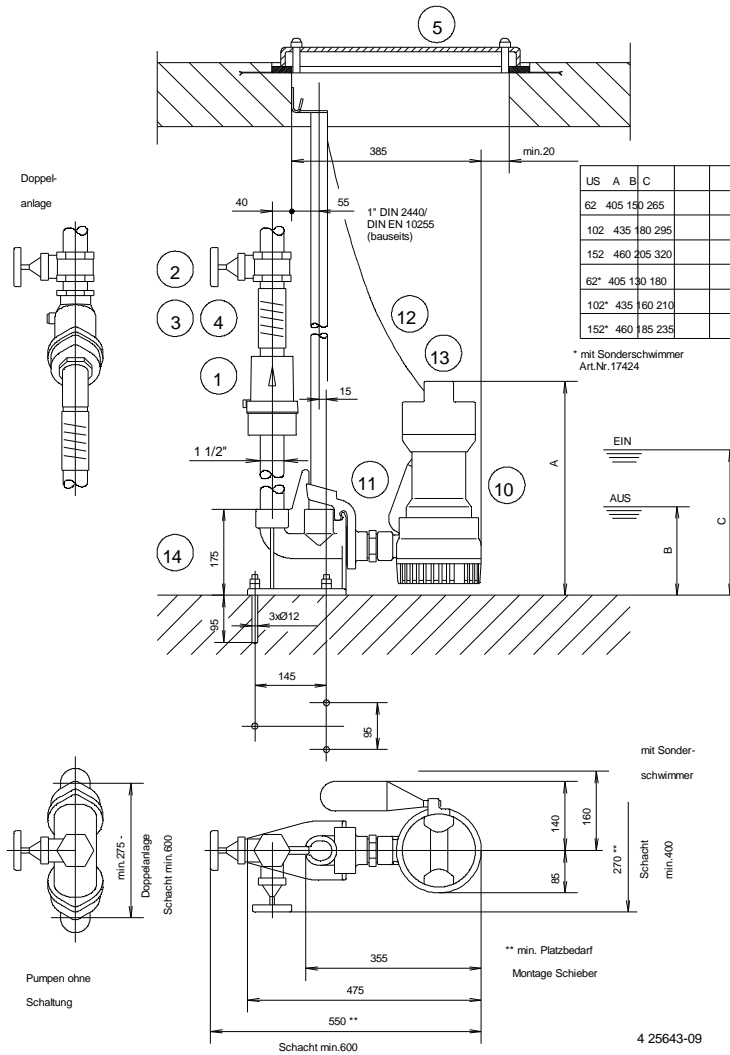


<Kunde:>
 <Straße>
 <PLZ / Ort>
 <Telefonnummer>

Project <Projekt:>
 Project ID
 Created by: <Erstellt durch>

Page: 3 / 3
 Date: 2009-02-06

US 62 D



Abmessungen in mm

A	405					
B	150					
C	265					

Suction port:
 Discharge port: G 1 1/2"
 Weight in kg: 13