

1	Operating data			
2	Fluid	Wastewater	Static head	0 m
3	Temperature	10 °C	Lost head	0 m
5	Density	0.99964 kg/dm ³	Man. head Hman	0 m
4	Kin. viscosity	1.3111 mm ² /s		
6	Flow	0 m ³ /h		

8	Pump			
9	Manufacturer	Jung Pumpen	Max. working temperature	40 °C
10	Pump name	US 75 D	Nominal pressure stage	
11	Flow rate (base load)		Suction port	
12	Delivery head (base load)		Discharge port	G 2"
13	Flowe rate (peak load)		Power input P1	
14	Delivery head (peak load)		Speed	2800 1/min
15	Impeller type	Vortex impeller	Impeller Ø	50 mm

17	Materials			
18	Housing	GG-25		
19	Shaft	1.4104		
20	Impeller	Amodel		
21	Motor housing	1.4301		

23	Shaft seal			
24				
25				

27	Motor			
28	Manufacturer	Jung Pumpen	Frame size	71
29	Motor type	3-	Protectiv system	IP 68
30	Frequency	50 Hz	cos φ	0.87
31	Power	0.6 kW		
32	Rated speed	2800 1/min		
33	Rated voltage	400 V		
34	Rated current	1.4 A		

36	Unit			
37	Mode of Operation	S1	Weight	13.1 kg

sc instal pompe sb s.r.l
sura mica sibiu
principala 96
0040-557270
Tel. 0755418009 Fax 0269577151

Duty Curve

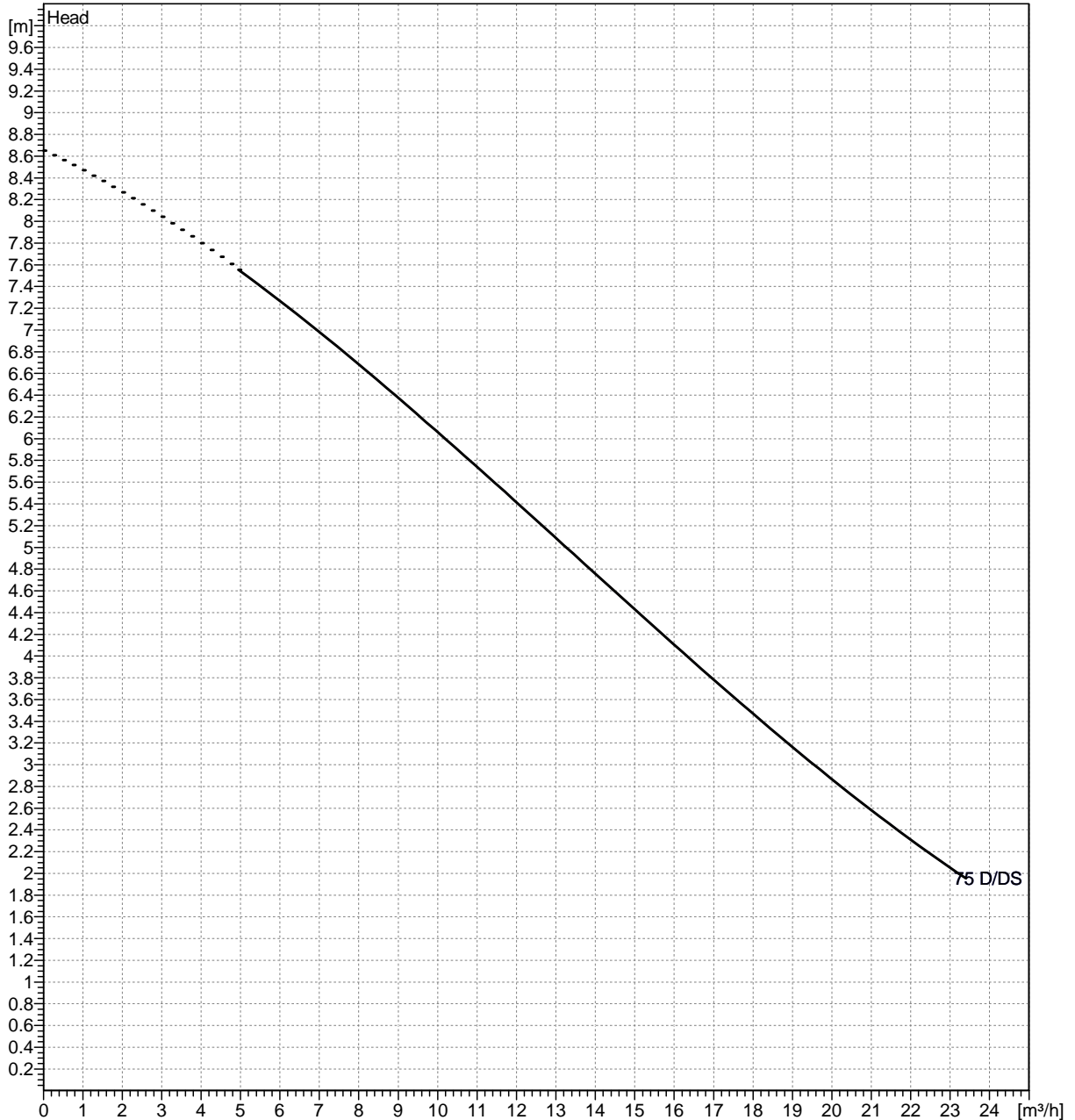


<Kunde:>
<Straße>
<PLZ / Ort>
<Telefonnummer>

Project <Projekt:>
Project ID Kennlinie / Performance Curve
Created by: <Erstellt durch>

Page: 2 / 3
Date: 2009-02-26

US 75 D



Pump: US 75 D

Fluid: Wastewater

Operating point (single):
Operating point (parallel):

sc instal pompe sb s.r.l
 sura mica sibiu
 principala 96
 0040-557270
 Tel. 0755418009 Fax 0269577151

Main dimensions

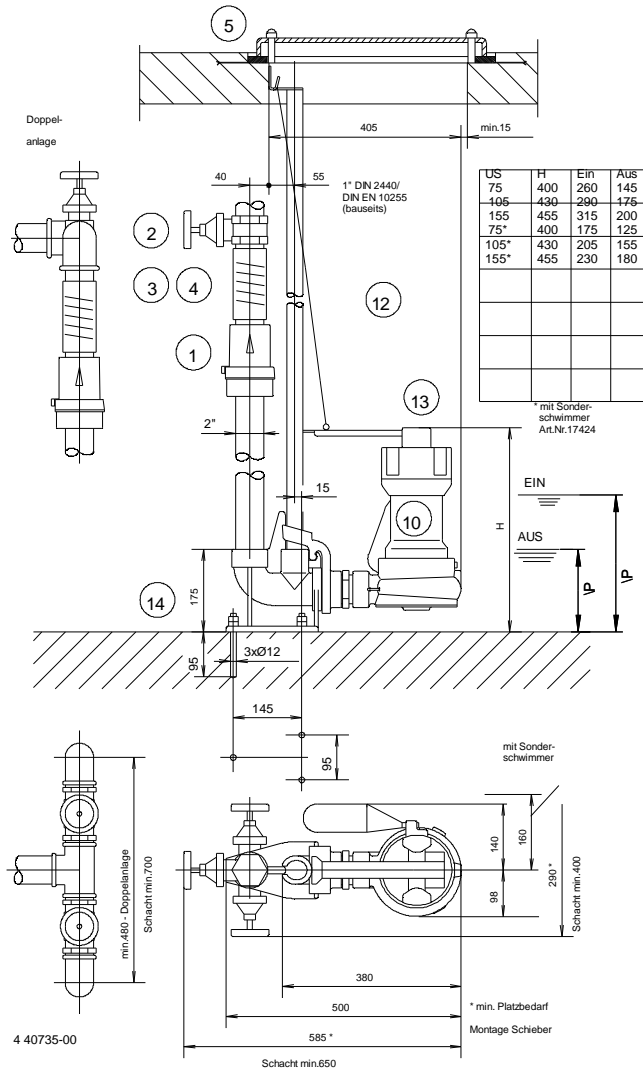


<Kunde:>
 <Straße>
 <PLZ / Ort>
 <Telefonnummer>

Project <Projekt:>
 Project ID
 Created by: <Erstellt durch>

Page: 3 / 3
 Date: 2009-02-26

US 75 D



Abmessungen in mm

Suction port:
 Discharge port: G 2"
 Weight in kg: 13.1